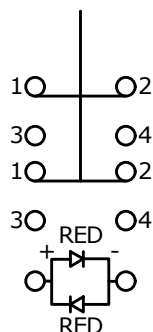


PANEL CUTOUT  
MAX. PANEL THICKNESS 10mm



▲ DPDT ON-ON  
CONTACT CONFIGURATION

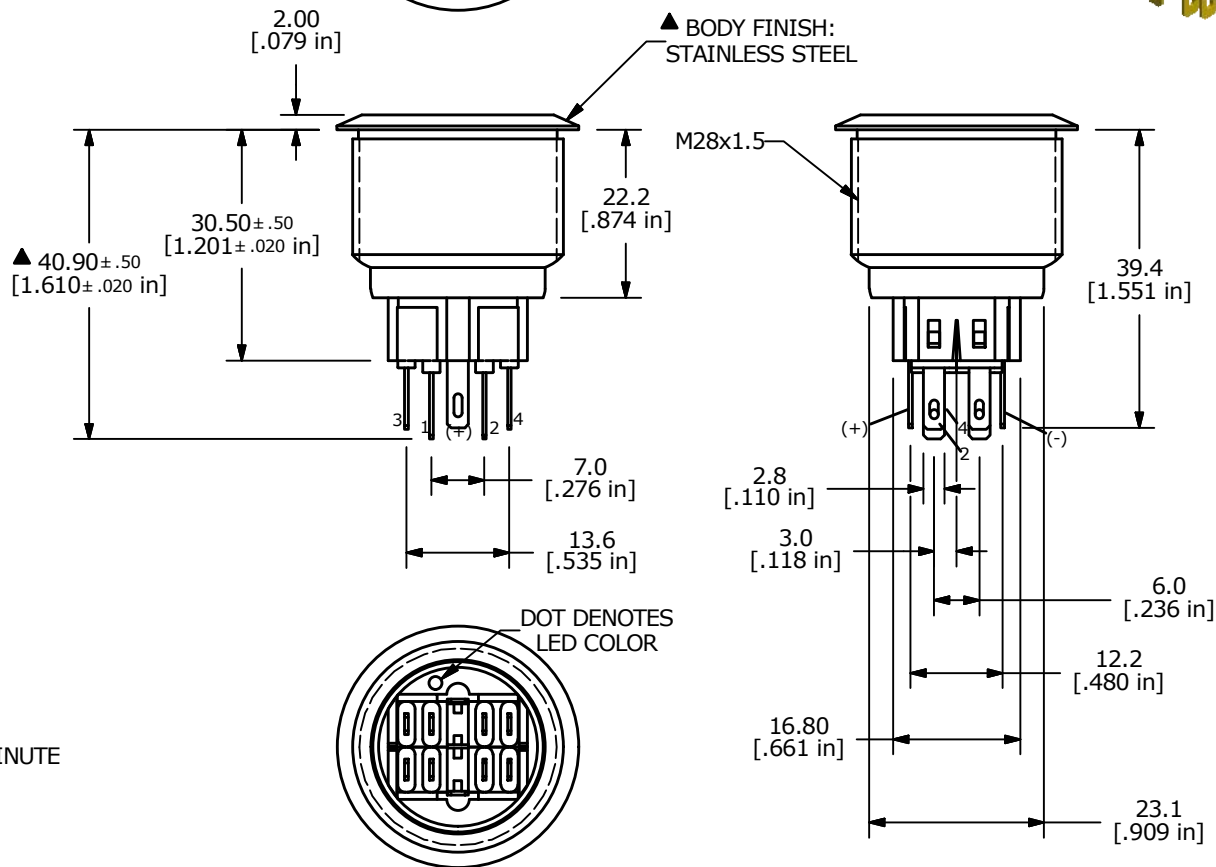
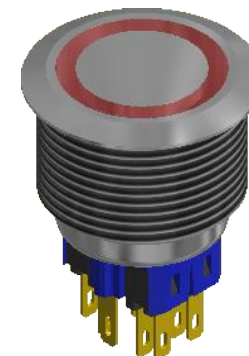
SWITCH FUNCTION	
POS. 1	POS. 2
1-2	3-4

▲ ACTUATOR FINISH:  
STAINLESS STEEL

Ø32.00  
[1.260 in]

Ø17.50  
[.689 in]

▲ RING ILLUMINATION:  
RED



- NOTE:
1. ALL DIMENSIONS IN MM [INCH]
  2. GENERAL TOLERANCE: X.X = ± 0.4  
X.XX = ± 0.25
  3. TERMINAL NOS. FOR REF. ONLY
  - ▲ 4. FUNCTION: DPDT
  - ▲ 5. RATING: 2A @ 48VDC
  6. ILLUMINATION VOLTAGE: BASE VOLTAGE 1.8 V
  7. CONTACT RESISTANCE: 50mΩ MAX. @ 1A 12VDC
  8. INSULATION RESISTANCE: 1,000MΩ @ 500VDC
  9. DIELECTRIC STRENGTH: 2,000VAC MIN. FOR 1 MINUTE
  10. ELECTRICAL LIFE: 50,000 CYCLES
  11. OPERATING TEMPERATURE: -20°C TO 55°C
  12. INGRESS PROTECTION: IP66
  13. SUPPLIED HARDWARE: O-RING AND HEXNUT
  14. ▲ DENOTES CRITICAL PARAMETER
  - ▲ 15. ILLUMINATION COLOR: RED (FORWARD), RED (REVERSE)

TITLE PV9F2U0SS-311				
SCALE	DATE	DR	DWG	REV
1:1	7/16/2014	rc	52-PV9F2U0SS311	B